

PC88-7
REV. 7-06



ASSEMBLY AND OPERATION INSTRUCTIONS OWNER'S MANUAL

VEGETABLE DRILLS, SEEDERS,
TOOL BARS, AND ATTACHMENTS



Hand Seeder

LIMITED WARRANTY: Cole Planter Company
offers a limited warranty on products it manufactures.



NOTICE: Cole Planter Company reserves
the right to discontinue models at any time or change
specifications, design or prices without notice and
without incurring obligation.

COLE PLANTER COMPANY

P. O. Box 2 • Albany, Georgia 31702 • (229) 888-2032 • Fax (229) 888-0448 • www.coleplanter.com

SAFETY PROCEDURES



This safety-alert symbol identifies important safety messages in this manual. When you see this symbol, be alert to the possibility of personal injury and carefully read and follow the message that follows.



1. Lower the unit when adjusting it or doing maintenance work.



2. Always lower the unit from the transport position before detaching it from the tractor.



3. The implement should be operated by only those responsible and delegated to do so. Only one person should be on the tractor during operation: the operator. Do not allow anyone to ride on the implement.



4. Keep hands and loose clothing away from the moving parts when the implement is in operation.



5. Make sure that everyone is clear before starting the machine. Take special care of row markers.



6. Do not drive too fast on curves and hillsides or too close to ditches and creeks.



7. Do not try to operate the tractor unless you are in the driver's seat. Do not dismount while the tractor is in motion.



8. Check clearance before driving a planting unit under electric lines, bridges, or into buildings.



9. Comply with state and local laws when moving machinery on the highway. Use approved lights or warning devices.

CONTENTS

SECTION 1: Operation of Ground-Driven Drills

SECTION 2: Operation of Chain-Driven Hoppers

SECTION 3: Assembly of Hitches for Ground-Driven Drills

SECTION 4: Warranty

SECTION 1

ASSEMBLY AND OPERATION OF GROUND-DRIVEN DRILLS

B91-92B Vegetable Drill with Floating Hitch
 B71-33B Vegetable Drill
 B73-09B Hand Seeder

A. PREPARE FOR OPERATION: B91-92B and B71-33B Vegetable Drills

Remove the two additional seed plates and other loose parts packed in the seed hopper. Go over all the bolts on the drill to make sure they are tight. Mount the drill to the tool bar or carrier. If you are using one of Powell's hitches or tool bar carriers, refer to Section 3 for instructions on assembly.

B. ASSEMBLY OF B73-09B HAND SEEDER

The B73-09B hand seeder comes in two parts: a carton containing the drill and other pieces, and the handle package including a right and left handle. The carton contains the following pieces: the assembled drill, row marker arm, the row marker weight, 3 seed plates, and envelope of bolts, the seed shut-off rod, the row marker cord, and wooden handle round. **ASSEMBLY HANDLES.**

Position the wooden handle round between the right and left handles as shown in Figure 1. Mount the end of the handles to the planter frame at the position shown, using two 3/8" x 1 1/2" carriage bolts.

NOTE: Each handle is beveled on the end. The bevel should be turned to the inside when mounted.

Attach the handles to the handle braces using the 1/4" x 1 1/2" carriage bolts. Adjust the handles to the proper height and tighten all bolts. On the right handle, install the eye bolt in the hole provided. On the left handle, install the J-bolt as shown. Refer to assembly drawing page 10.

INSTALL THE SEED SHUTOFF ROD.

Insert the seed shutoff rod through the eyebolt on the right handle. Hook the end through the seed shutoff lever at the hopper. Refer to Figure 1. After the drill has been fully assembled, go over all the bolts to make sure that they are tight.

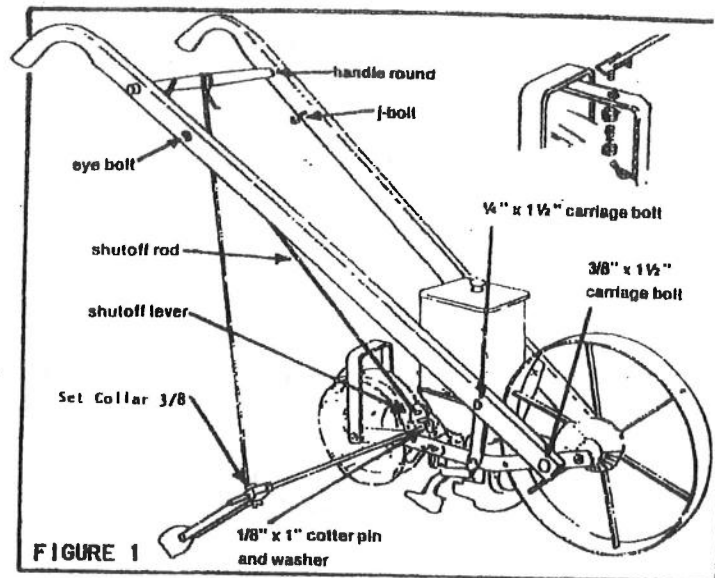


FIGURE 1

C. OPERATION OF GROUND-DRIVEN DRILLS

1. SEED SHUTOFF

All ground-driven drills are provided with a seed shutoff lever located on the right side of the hopper. When the lever is pushed forward, the seeder is open; when pulled back, it is closed. See Figure 2.

Models with the floating bracket automatically shutoff when the planting unit is raised.

The seed shutoff on the hand seeder is operated by means of the seed shutoff rod. When starting on the row, push the seed shutoff rod forward to open the shutoff mechanisms. When stopping at the end of the row, pull back toward you to close off the mechanism.

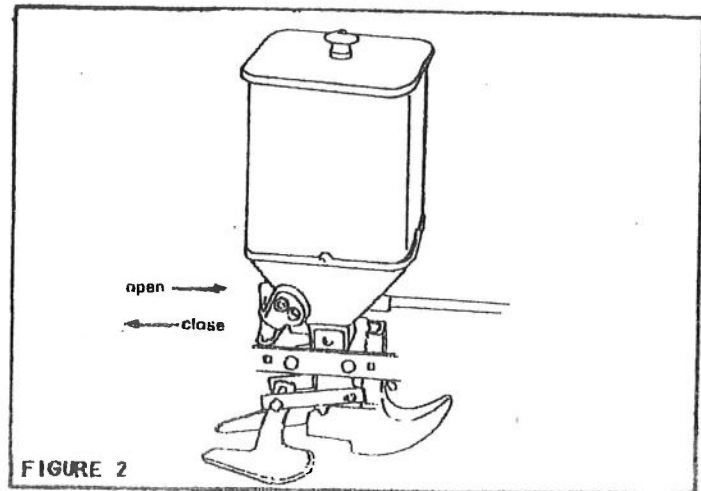
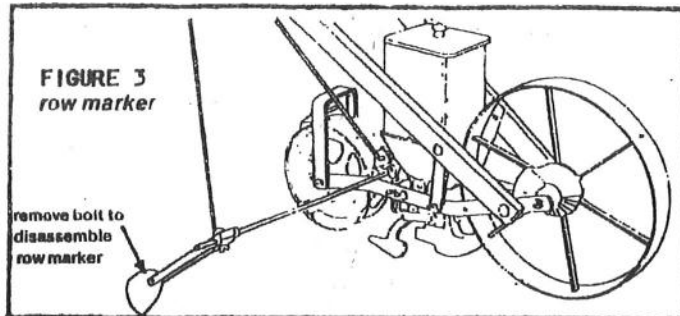


FIGURE 2

2. ROW MARKER ON HAND SEEDERS

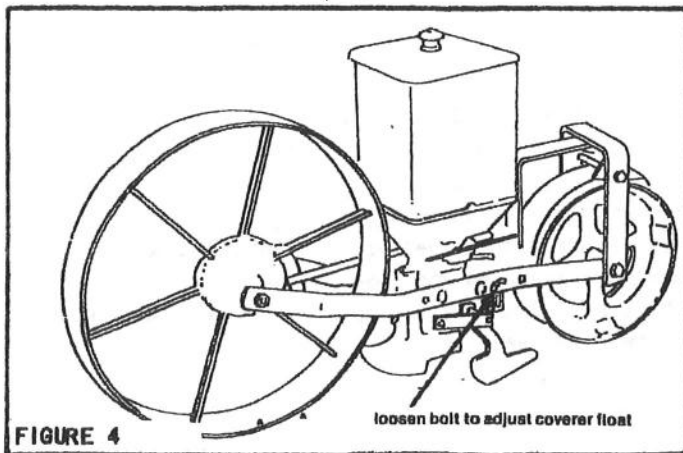
The row marker has been designed so that it can be used in light or heavy soil with equally satisfactory results. Where the soil is heavy or where a deep mark is required, use the marker as you received it.

Where the soil is light, open the marker by removing the bolt and remove the inner cast weight from between the two marker halves. See Figure 3. Replace the two marker halves together.



3. COVER STOP PIECE

If it is desired to limit the amount of float of the coverer, adjust the coverer stop piece located on the left side of the planter frame. Loosen the bolt and slide the slotted steel piece either up or down as desired. See Figure 4.



4. SEED PLATES

Three seed plates are furnished with every drill. Each plate has 13 holes or adjustments. The plate with the smallest holes, no. P00-5458, is shipped in place in the drill with no. 1 hole (smallest) in position. The other plates, no. P00-5459 with holes 14-26 and no. P00-5460 with holes 27-39 are shipped in the hopper lid.

TO DETERMINE THE CORRECT USED PLATE HOLE TO USE:

Refer to the chart for a list of commonly used seed. To the right of the seed will be the average number of seed sown to the foot, accompanied by the numbered hole that will sow that quantity of seed. This chart should be used only as a guide. Seeds of the same variety vary greatly in size, so you will need to test the drill with the seed that you intend to use.

From the chart, determine the hole for sowing the seed you desire. Set the seed plate with the hole indicated in position to sow. Place enough seed in the hopper to cover the feed wheel. Turn the front wheel so the rim travels about one foot. Check the amount of seeds dropped for proper distribution. More or less seed per foot may be achieved by moving the plate to a larger or smaller hole as required. As you find the correct hole for various seeds, make a note enabling you to set the seed plate quickly when planting the same seeds at a later date.

SEED PLATE SETTINGS		
SEED	HOLE NO.	SEED PER FOOT
beans	38	6
beet	22	22
cabbage	5	31
carrot	8	29
celery	3	75
cotton (delinted)	32	12
kale	4	16
kohlrabi	6	19
lettuce	12	36
onion	8	15
peas	38	15
parsnip	29	27
radish	13	28
salsify	35	13
spinach	12	10
turnip	1	18

Table is a guide only.
Determine correct hole by testing.

TO CHANGE HOLES ON A SEED PLATE:

Refer to Figure 5 on page 5.

- Loosen the cam slightly by moving the handle approximately 1" (25mm) toward the front of the seeder.
- Lift the flat spring until the pin is disengaged with the hole in the seed plate. (Do not pull this spring out.)
- Revolve the seed plate until the stamped number of the hole you wish to use comes opposite the pin in the flat spring.
- Tighten the cam by moving the handle toward the rear of the seeder.

TO CHANGE TO ANOTHER SEED PLATE:

- Loosen the cam by moving the handle toward the front of the drill.
- Lift and pull out the flat spring.
- Remove the cam and seed plate.
- The hopper may be entirely removed, if desired. Lift the hopper upward and to the rear until it is free of the spout.
- Replace the hopper. Place the end of the drive shaft in the bearing hole of the front wheel cover. Lower the hopper in place and push forward. See that the hopper is hooked on the pin on the right side of the spout.